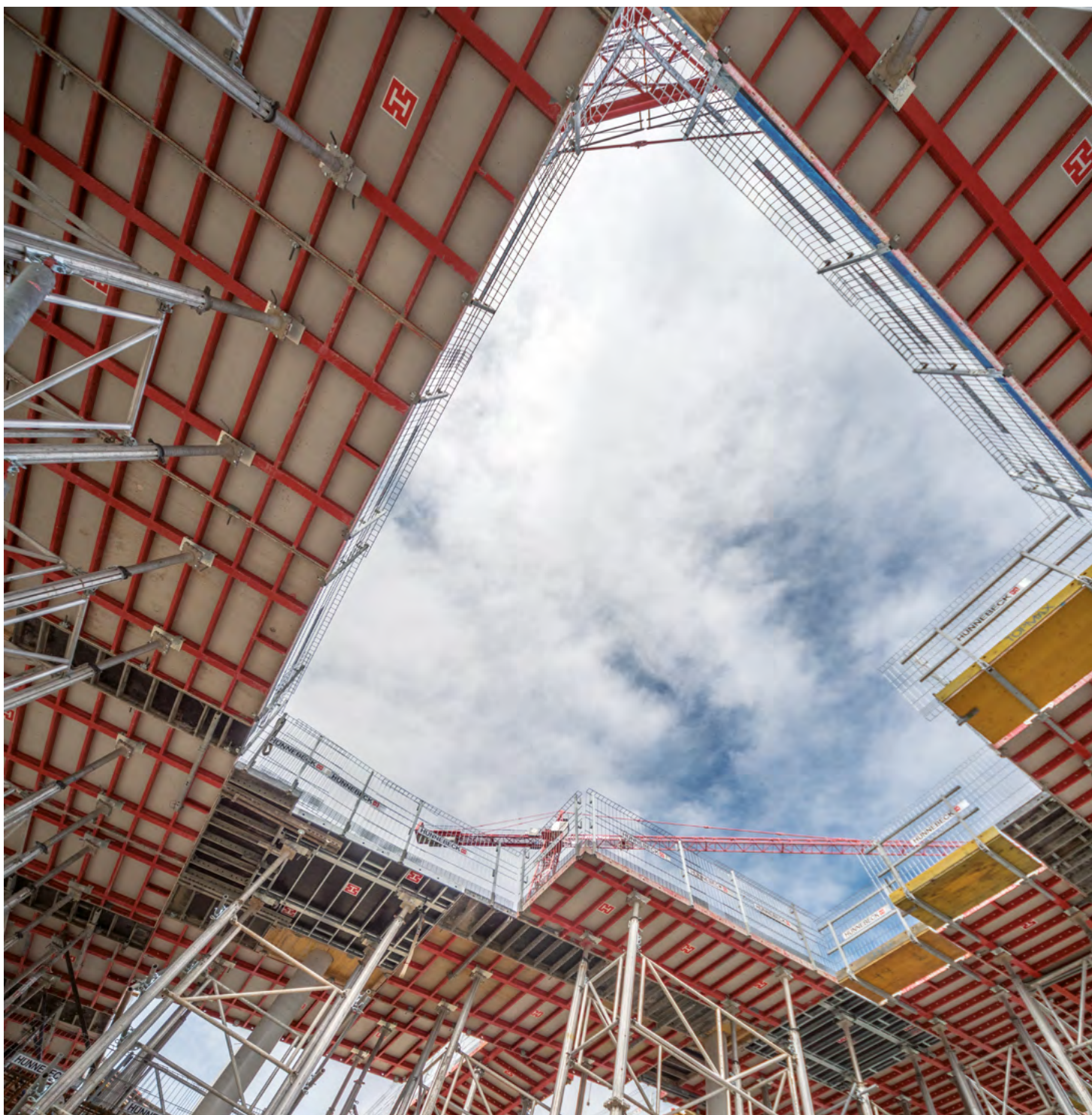


# TOPMAX<sup>®</sup>

The TOPMAX floor table is the quick formwork solution for large slab surfaces with regular ground plans and repetitive geometries.



At Work For You

Easy to use, efficient and very safe: TOPMAX is a steel-frame floor table. With just four props, the tables can support slabs with a thickness of 50 cm without additional static calculation.

## ► Product benefits

### Quick

Large forming units up to 26 m<sup>2</sup> transferable in just a single crane pick

### Economical

Low transportation volumes and stockyard costs due to low table thickness of just 12 cm

Low cleaning and repairs due to the powder-coating and all-round edge guard of the form lining

### Easy handling

Specially developed folding heads with self-securing pins make it effortless to connect props

The TOPMAX table lifting system is a useful alternative whenever a crane is not available

The ability of the folding head to swing up with the prop makes it easier to overcome barriers when necessary

### Versatile

For special adjustments and infill areas, TOPMAX floor tables can be easily combined with RASTO panels

The TOPMAX multi-adapter allows to attach TOPMAX panels in combination with the TOPMAX folding head to the GASS support (single props or towers). The adapter is fixed to the GASS support with four ring bolt clamps from GASS leg to GASS leg.

### Strong & durable

Very stable steel frame which is hot-dip galvanised and powder-coated

ECOPLY full plastic composite sheet

### Safe

High safety measures due to compatibility with PROTECTO edge guard system

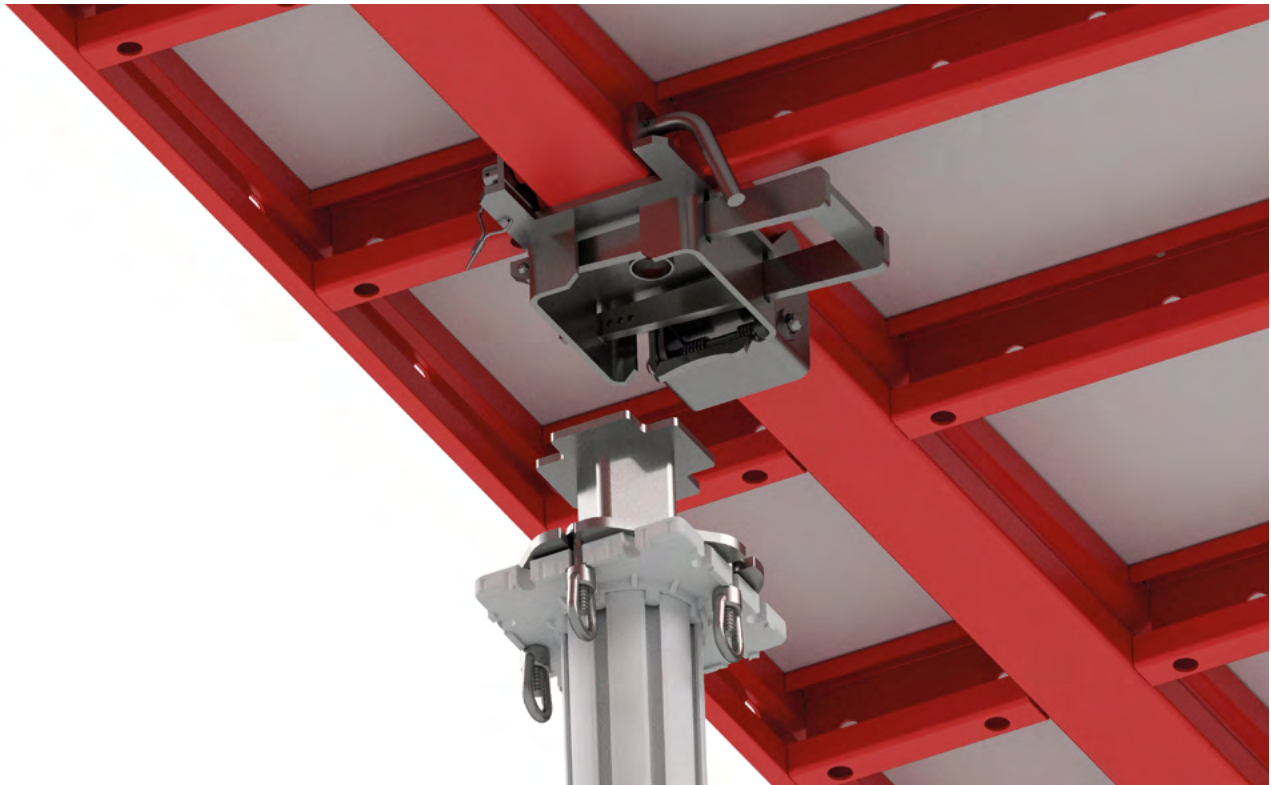


► High safety measures due to compatibility with PROTECTO edge guard system



## ► Technical data

Product description	Steel-frame floor table with plastic form lining
Element widths	180   240 cm
Element lengths	540 cm
Forming areas	9.72 m <sup>2</sup> (180 x 540 cm)   12.96 m <sup>2</sup> (240 x 540 cm)
Table height	12 cm steel frame profile
Form lining type	15 mm ECOPLY® full plastic composite sheet
Weight	422 kg (180 x 540 cm)   495 kg (240 x 540 cm)
Corrosion protection	Hot-dip galvanisation and powder-coating
Standard shoring	EUROPLUSnew® props 20 kN   30 kN   GASS®
Special shoring	MODEX® shoring   GASS®
Bearings	TOPMAX® folding head   Connection bearing
Adjustments	Support girder with RASTO® panel   Timber holder & fillers
Forming/stripping times	t = 0.15 – 0.30 h/m <sup>2</sup> *
Special features	<ul style="list-style-type: none"> <li>• Table jack lift for fast horizontal transportation</li> <li>• Integrated safety with PROTECTO® and EXTRAGUARD® edge guard systems</li> <li>• Very robust for a long service life</li> </ul>



The TOPMAX-GASS multi-adapter allows to attach TOPMAX panels in combination with the TOPMAX folding head to the GASS support (single props or towers). The adapter is fixed to the GASS support with four ring bolt clamps from GASS leg to GASS leg.

\* Time calculation (average) by Hünnebeck



▶ Large forming units up to 26 m<sup>2</sup> transferable in just a single crane pick



▶ Easy forming of infill and adjustment areas with timber holder or standard RASTO panels



▶ Low transportation volumes and stockyard costs due to low table thickness of just 12 cm

## Application & use

- ▶ Large slab surfaces with regular ground plans

## TOPMAX<sup>®</sup> integrates with

- ▶ RASTO<sup>®</sup>
- ▶ TOPEC<sup>®</sup>
- ▶ EUROPLUS<sup>®</sup> *new*
- ▶ PROTECTO<sup>®</sup>
- ▶ GASS<sup>®</sup>



If you would like to find out more, take a look at our video.