

# Load-bearing frame prop

The Hünnebeck load-bearing frame prop is well suited for all applications where particularly high loads have to be supported safely and economically.



At Work For You

**HÜNNEBECK** 

BY BRAND SAFWAY

All components of the load-bearing frame prop are robust and galvanised for a long service life. The load-bearing frame prop has a system dimension of 25 cm x 25 cm and can be loaded with up to 210 kN. A type approval for heights up to 16 m (without wind) is available.

## ► Product benefits

### Strong & durable

Very high load capacity up to 210 kN even with small base dimensions of only 25 x 25 cm

### Versatile

Versatile configuration of the prop jack, selectively at the top and/or at the base of the load-bearing frame prop

Continuously variable adjustment of the articulated prop jack as a result of the 30 cm high spindle range

Various connection possibilities for wall struts, bracing, and walkway brackets

Frame sections in different heights for versatile application

Vertical and horizontal application possible

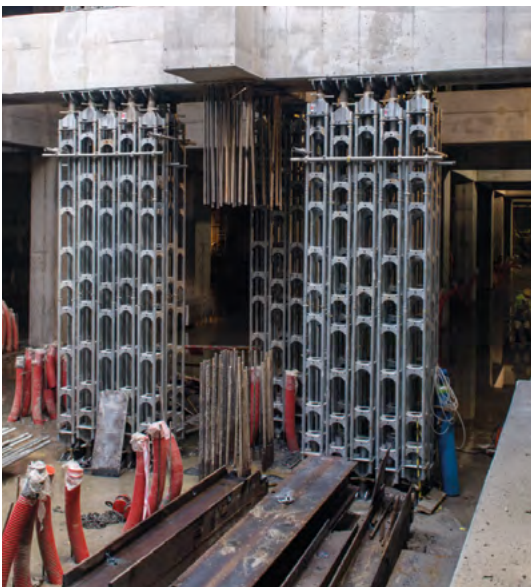
### Safe

Safe use due to officially approved calculation for prop heights up to 14 m (with wind) and up to 16 m (without wind)

### Easy handling

Simple L-bolt and spigot connections enable simple on-site assembly

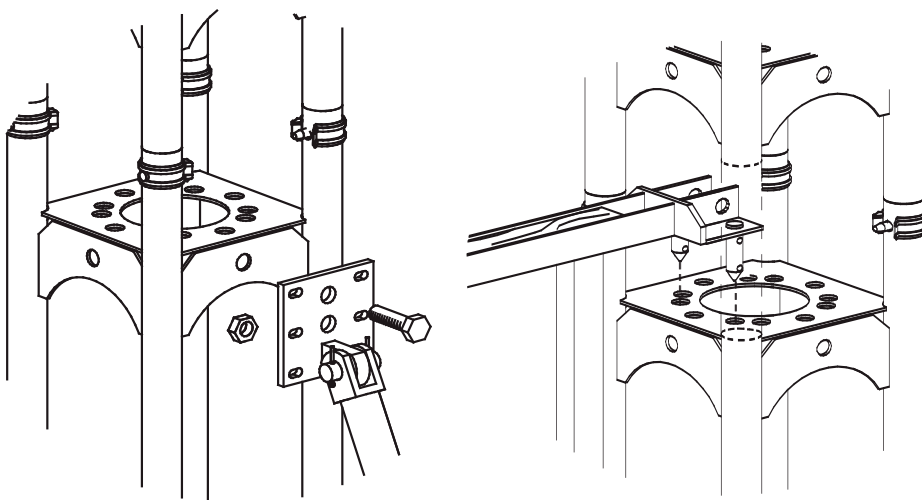
Easy assembly due to the low weight of basic components and simple bolt connections



► Very high load capacity up to 210 kN even with small base dimensions of only 25 x 25 cm

## ► Technical data

Product description	Load-bearing frame prop for high loads
Material	Steel
Basic dimensions	25.00 x 25.00 cm (4 posts)
Frame section lengths	100   150   200 cm
Head section lengths	50   75 cm
Spindle range	From 0 cm to 60 cm (using two prop jacks)
Angular compensation	0° to 7° or 10° (depending on surface)
Typical application heights	1.90 to 10.0 m
Type approval	Heights up to 14 m (with wind)   16 m (without wind)
Connections	Using L-bolts and connecting spigots
Component max. weight	Load spindle-2 = 50.0 kg
Relevant standards	Complies with DIN EN 12812
Max. load capacity:	210 kN at approx. 4.0 m   185 kN at approx. 7.20 m
Corrosion protection	Hot-dip galvanisation
Suitable as	Single prop   Load tower   Braced series
Accessories	M-walkway bracket and railing post   Wall strut



◀ The stiffening bulkhead plates of the frame prop offer many solutions for the connection of scaffold tubes for bracing, working platforms and struts.

▶ Continuously variable adjustment of the articulated prop jack as a result of the 30 cm high spindle range



▶ Load-bearing frame props used as shoring solution for an unobstructed site underpass

## Application & use

- ▶ Heavy slabs
- ▶ Superstructures
- ▶ Site underpasses

**LOAD-BEARING  
FRAME PROP**  
integrates with

- ▶ INFRA-KIT