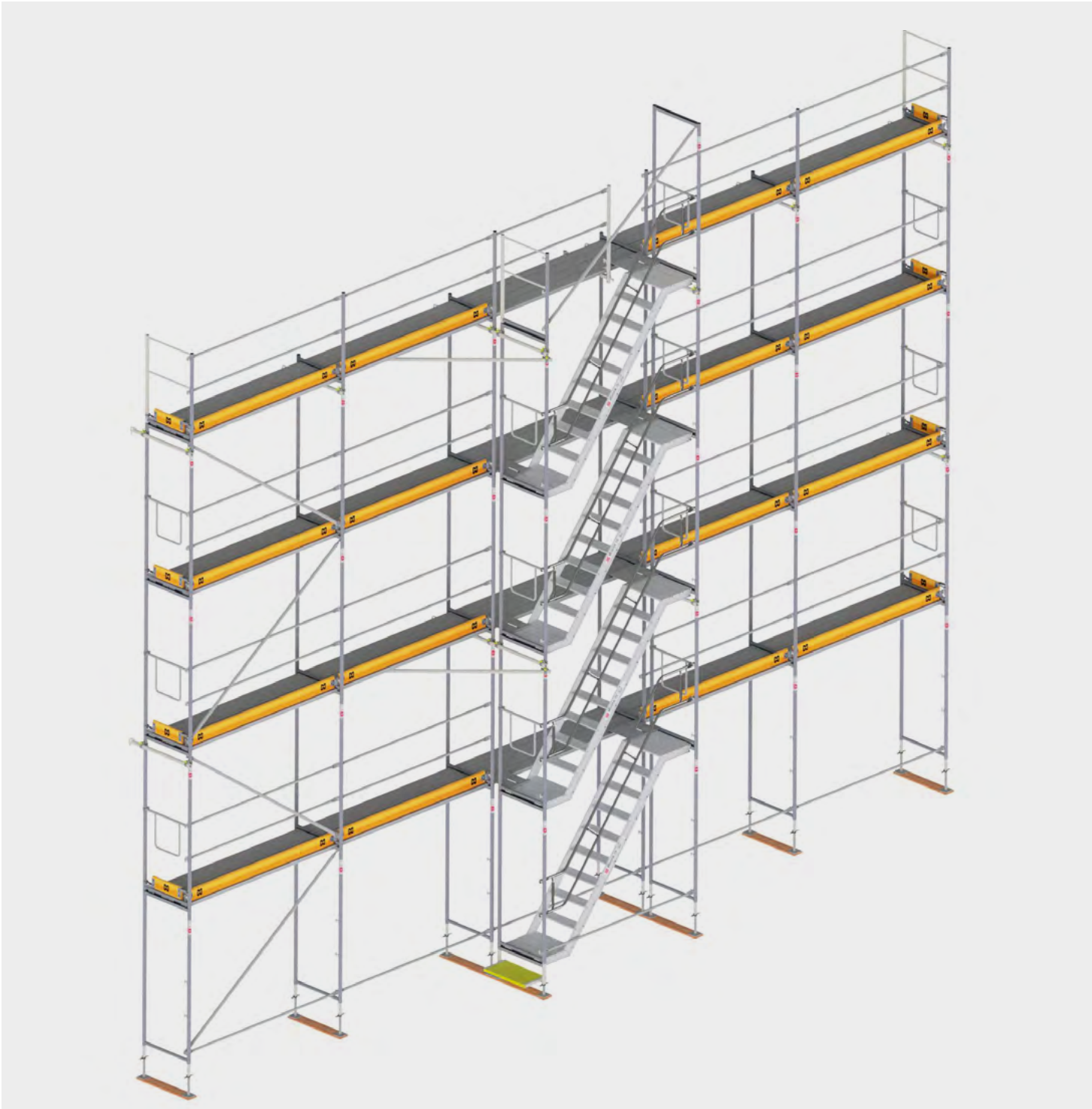


BOSTA[®] Alu staircase G2

The new generation of BOSTA[®] Alu staircases fulfils all relevant safety requirements for temporary height access in construction.



At Work For You

HÜNNEBECK 

BY BRAND SAFWAY

BOSTA® 70 is our proven load class 3 scaffolding system. Quick to set up and dismantle, absolutely stable and safe all round. We have now introduced the new generation of aluminium staircases.

▶ Product benefits

BOSTA® Alu-staircase G2

High load capacity

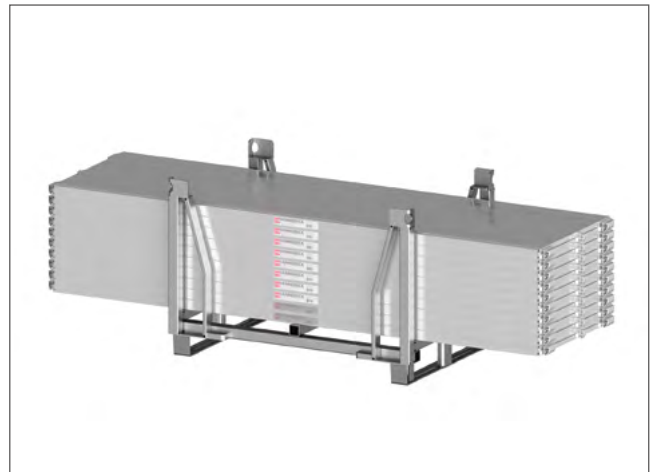
Efficiency thanks to fewer components for assembly

Easy to repair (screwed steps, platform coverings and support profiles) and therefore economical

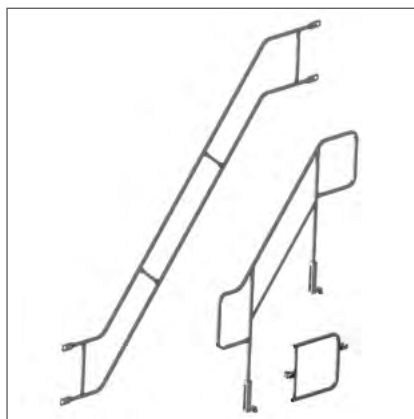
Safe: access with requirements of DIN EN 12811 and BGR 113



▶ Aluminium lining G2



▶ Steps are screwed and can therefore be repaired in a time-saving manner



▶ Protected with safety thanks to high-quality side protection



▶ The BOSTA® Alu staircase is available in three riser heights