

SAFESCREEN®

SAFESCREEN is a perimeter climbing protective system used for full work floor enclosure as well as edge and weather protection.



At Work For You

HÜNNEBECK 

BY BRAND SAFWAY

SAFESCREEN is an innovative rail climbing edge protection system ideal for projects over ten stories high. Protecting operatives from falls, weather conditions and also providing a useful working platform which extends beyond the slab edge.

► Product advantages SAFESCREEN®

Safe

Improved on-site and public safety due to full enclosure of the working environment

Multiple floor protection with optional vertical extension

Providing a protective screen for workforce at high levels

Versatile

With various shield options made of translucent, solid or perforated formworks, grids or panels

Complex architecture easily accommodated

Choice of cladding, colors and brand display for marketing and advertising purposes

Economical

Nearly all parts can also be rented

Pre-assembly options for confined site conditions available

The space required for storage and assembly on the construction site is comparatively small

Low dead weight accelerates the assembly process

Easy handling

Lightweight system for easy installation, lifting with crane or hydraulics



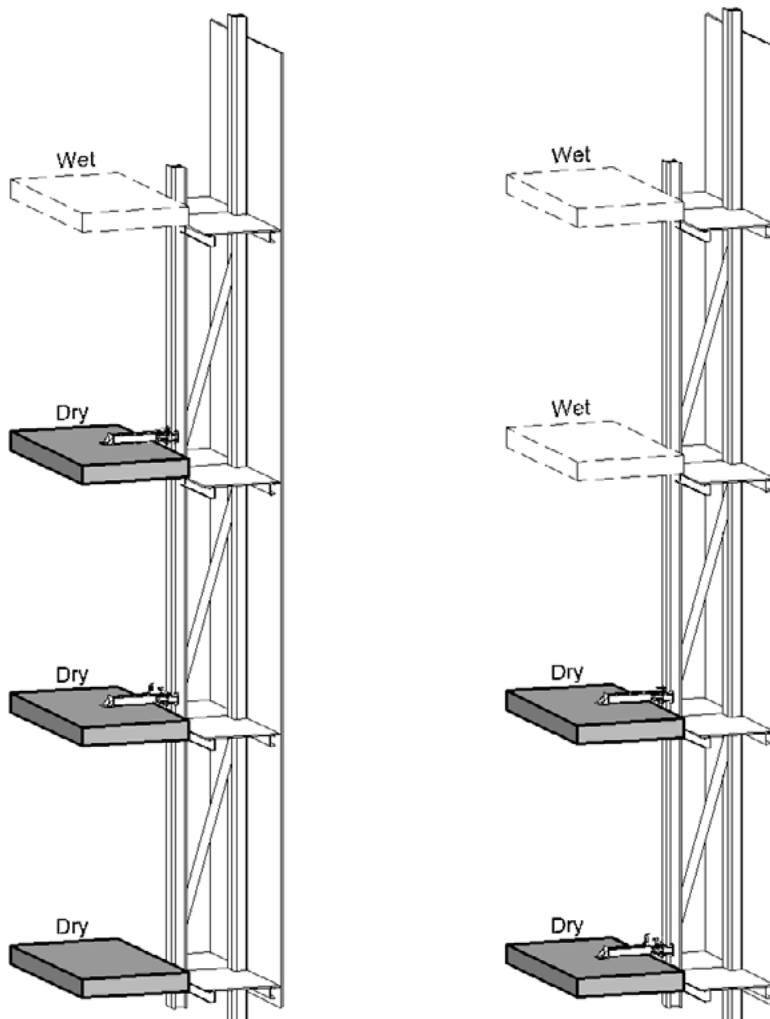
► Providing a protective screen for workforce at high levels



► Multiple floor protection with optional vertical extension

► Technical specifications SAFESCREEN®

Product description	Perimeter Climbing Protective System
Unit dimensions	4.60 m x 12 m typical
Weight	1.50 – 3.70 tonnes
Manipulation	110 V hydraulics Crane
Transportation	No requirement for special wide load
Panels	Solid steel sheeting Perforated sheeting GRP translucent sheeting
Application	From second floor
Suitability	Variable building shapes
Relevant standards	BS 5975 EN 12811 EN 1993
Special features	<ul style="list-style-type: none"> • adjustable cladding panels • folding / extending platform • self climbing • simple to assemble and install • can be built on and off site and adapted for standard transport • used on reinforced, post tension and precast slabs • Loading platform size – standard approx. 2.10 x 2.70. Other sizes also available with max width approx. 2.70 m, length 5.00 m



◀ Most commonly the sections are designed for approx. 3.00 m floor to floor; however, they can also be designed for floors from 2.80 m to 4.30 m providing full protection and access platforms to completed “Dry” and new under construction “Wet” levels.



► Complex architecture easily accommodated



► The Grand Tower, Germany's highest residential building (as of July 2018)



► Improved on-site and public safety due to full enclosure of the working environment

Application & Use

► High-rise construction