

Our Head Offices

Hünnebeck Austria GmbH
Wiener Str. 30
2326 Maria Lanzendorf
+43 2235 4203039
www.huennebeck.at

**Hünnebeck
Deutschland GmbH**
Rehhecke 80
40885 Ratingen
+49 2102 9371
www.huennebeck.de

Hünnebeck in France
Allée de Fétan 256 – BP 130
01601 Trévoux
+33 4740 89050
www.huennebeck.fr

Hünnebeck in the Netherlands
Kwartelweg 6a
NL-4791 RP Klundert
+31 168 387440
www.huennebeck.nl

Hünnebeck in Ireland
Unit 295
Block H
Blanchardstown Corporate Park
Dublin 15
D15 WVK1
www.hunnebeck.ie

Hünnebeck Italia S.p.A.
Via Isonzo, 9
22078 Turate (Como)
+39 2 969731
www.huennebeck.it

Hunnebeck Polska Sp. z o.o.
Łubna 55
05-532 Baniocha
+48 22 2312300
www.huennebeck.pl

Hunnebeck România SRL
Șoseaua de Centură, Rudeni – Chitila, Rudeni
077046 jud. Ilfov
+40 37 6206150
www.huennebeck.ro

Hunnebeck in the UK
Rush Lane, Staffordshire, Tamworth
Birmingham, B77 1LT
+44 1827 289955
www.hunnebeck.co.uk

Hünnebeck is a proud member of the BrandSafway Companies. Large enough to leverage economies of scale to safely increase productivity, BrandSafway is also nimble and responsive, delivering unmatched service with local labor and management.

Hünnebeck (Europe), Aluma Systems (North and Latin America) and SGB (MEA/SEA), represent the Forming & Shoring Division of BrandSafway. With branch locations worldwide, and over 240 years of combined history and experience, we are ready to deliver innovative Forming and Shoring solutions anywhere around the world. Our main contacts outside of Europe are:

**MEAI and South East Asia
SGB Group**
Techno Park
37656 Dubai
+971 4 8132000
Fax: +971 4 8132001
ae@beis.com
www.sgbgroup.com

**North America
Aluma Systems**
2 Manchester Court
Bolton, ON L7E 2J3
Canada
+1 905 6695282
www.aluma.ca

The copyright to this brochure remains with BrandSafway. All trademarks mentioned in this brochure are the property of BrandSafway, unless otherwise noted or in any other way perceivable as third party rights. Hünnebeck, SGB and Aluma Systems are trademarks of BrandSafway. Furthermore, all rights are reserved, in particular in the event of a patent being granted or a utility model being registered. The unauthorized use of this brochure, the trademarks and other proprietary rights contained herein is expressly prohibited and constitutes an infringement of copyright, trademark rights or other proprietary rights.

The illustrations shown in this brochure reflect day-to-day construction site operations and are therefore not always correct from a safety point of view.

BRAND SAFWAY

Aluma SYSTEMS
BY BRAND SAFWAY

HÜNNEBECK
BY BRAND SAFWAY

SGB
BY BRAND SAFWAY

BOSTA® ALUMINUM STAIRS G2

The new generation of BOSTA® aluminum stairs meets all relevant safety requirements for temporary height access in construction.



4150 EN 2019-03-18

Editor: Hünnebeck GmbH, Rehhecke 80, 40885 Ratingen. Drucknorm

At Work For You

HÜNNEBECK
BY BRAND SAFWAY

Technically and legally secure

BOSTA® 70 is our proven scaffolding system for load class 3. Quick to assemble and dismantle, absolutely stable and safe all round. We have now introduced the new generation of aluminum stairs.

The new BOSTA® G2 aluminum stairs offer maximum safety: They enable temporary height access during construction in accordance with all legal requirements such as DIN EN 12811 for scaffold stairs and BGR 113 „Stairs for construction work“. Compared to the predecessor model, it now has twice the load capacity of 2 kN/m².

The new BOSTA® aluminum stairs G2 is compatible with our BOSTA® and MODEX® scaffolds.

High load capacity, easy assembly and repairs

Three climbing heights can be reached using the BOSTA® stair tower. The external railing acts as a V-diagonal.

As a result, fewer individual parts have to be assembled – a clear increase in efficiency. All components are bolted so that repair work can be carried out easily and quickly. Accordingly, the stairs have no welds that have to be additionally tested and evaluated.

The BOSTA® aluminum stairs G2 can be used as a scaffold staircase, construction staircase and stair tower, wherever you need to reach great heights safely.

Product benefits

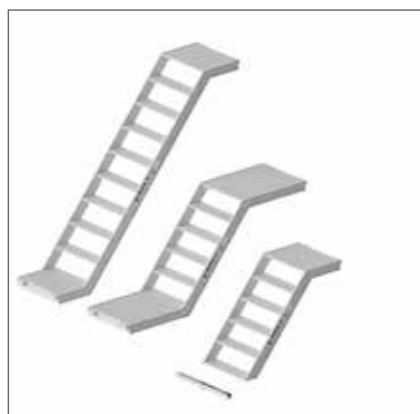
BOSTA® aluminum stairs G2

High load capacity

Efficiency thanks to fewer components for assembly

Easy to repair (bolted steps, platform coverings and support profiles) and therefore economical

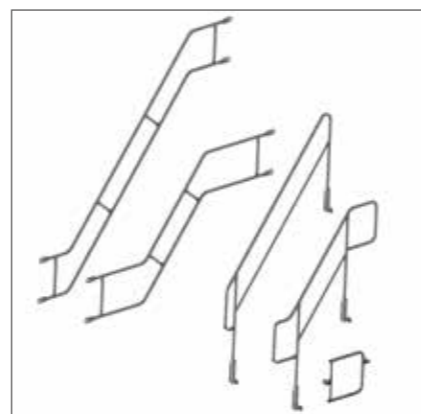
Secure: Access with requirements of DIN EN 12811 and BGR 113



▶ The BOSTA® aluminum stairs are available in three climbing heights



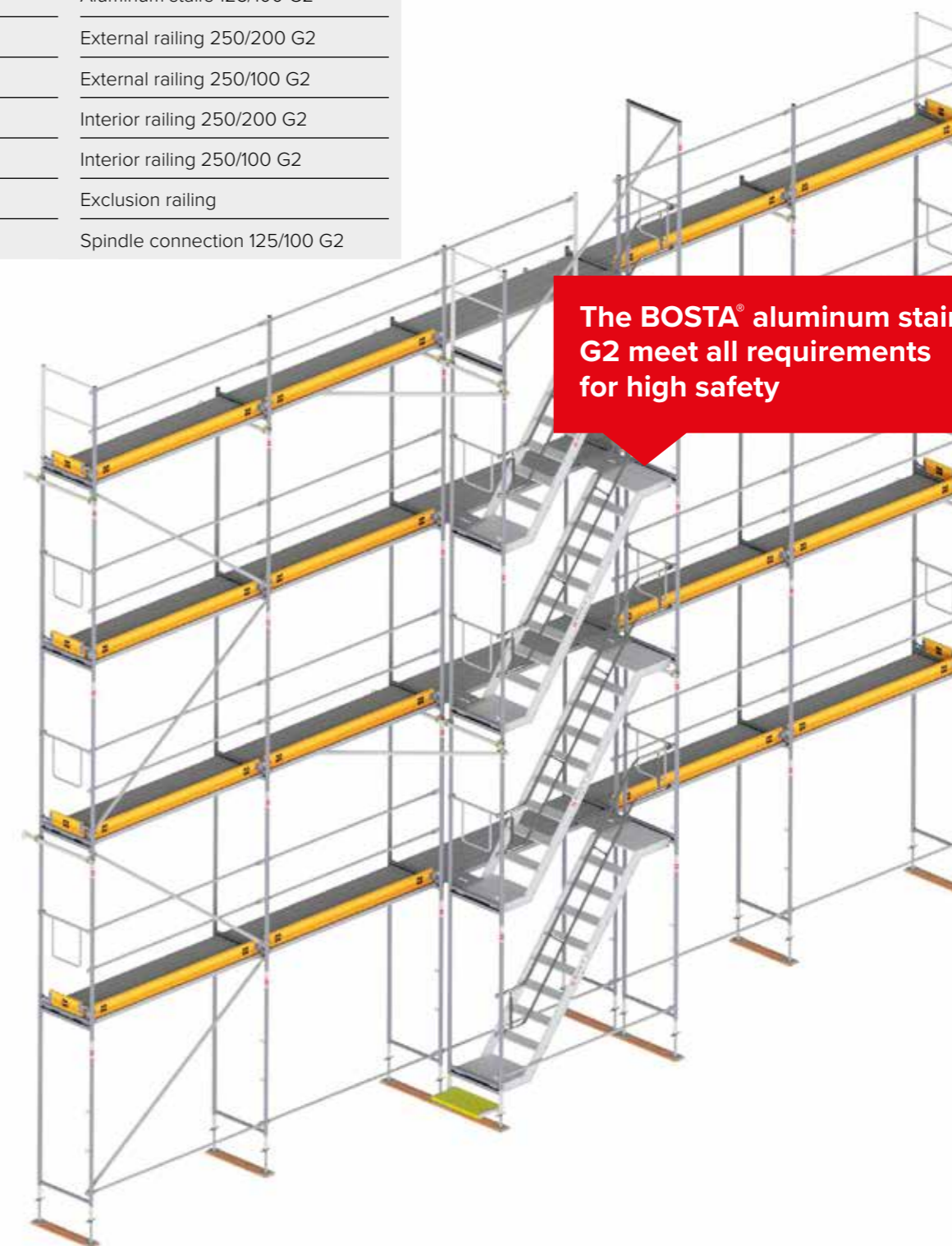
▶ Steps are bolted and can therefore be repaired in a time-saving manner.



▶ Safely protected by high-quality side protection

Technical data

Components	
652780	Aluminum stairs 250/200 G2
652785	Aluminum stairs 250/100 G2
652895	Aluminum stairs 125/100 G2
652860	External railing 250/200 G2
652930	External railing 250/100 G2
652865	Interior railing 250/200 G2
652935	Interior railing 250/100 G2
653000	Exclusion railing
653130	Spindle connection 125/100 G2



The BOSTA® aluminum stairs G2 meet all requirements for high safety